

Product availability: Stock - Normally stocked in distribution facility

Price*: 285.00 USD



Main

Range of product	Preventa Safety automation
Product or component type	Preventa safety module
Safety module name	XPSAC
Safety module application	For emergency stop and switch monitoring
Function of module	Emergency stop Switch monitoring
Safety level	Can reach PL e/category 4 EN/ISO 13849-1 Can reach SILCL 3 EN/IEC 62061
Safety reliability data	MTTFd = 210.4 years EN/ISO 13849-1 DC > 99 % EN/ISO 13849-1 PFHd = 3.56E-9 1/h EN/IEC 62061
Type of start	Unmonitored
Connections - terminals	Captive screw clamp terminals, 1 x 0.14...1 x 2.5 mm ² flexible without cable end Captive screw clamp terminals, 1 x 0.14...1 x 2.5 mm ² solid without cable end Captive screw clamp terminals, 1 x 0.25...1 x 1.5 mm ² flexible with cable end, with-bezel Captive screw clamp terminals, 1 x 0.25...1 x 2.5 mm ² flexible with cable end, without-bezel Captive screw clamp terminals, 2 x 0.14...2 x 0.75 mm ² flexible without cable end Captive screw clamp terminals, 2 x 0.14...2 x 0.75 mm ² solid without cable end Captive screw clamp terminals, 2 x 0.25...2 x 1 mm ² flexible with cable end, without-bezel Captive screw clamp terminals, 2 x 0.5...2 x 1.5 mm ² flexible with cable end, with double bezel
Output type	Relay instantaneous opening, 3 NO, volt-free
Number of additional circuits	1 solid state output
[Us] rated supply voltage	24 V AC - 20...10 % 24 V DC - 20...20 %

The information provided in this documentation contains general descriptions and/or technical characteristics of the performance of the products contained herein. This documentation is not intended as a substitute for and is not to be used for determining suitability or reliability of these products for specific user applications. It is the duty of any such user or integrator to perform the appropriate and complete risk analysis, evaluation and testing of the products with respect to the relevant specific application or use thereof. Neither Schneider Electric Industries SAS nor any of its affiliates or subsidiaries shall be responsible or liable for misuse of the information contained herein. *Prices are indicative

Complementary

Supply frequency	50/60 Hz
Maximum power consumption in W	1.2 W DC
Maximum power consumption in VA	2.5 VA AC
[Uc] control circuit voltage	24 V
Breaking capacity	180 VA holding AC-15 C300 relay output 1800 VA inrush AC-15 C300 relay output
Breaking capacity	1.5 A 24 V DC-13)50 ms relay output
Output thermal current	6 A per relay for relay output
[Ith] conventional free air thermal current	10.5 A
Associated fuse rating	4 A gG or gL relay output EN/IEC 60947-5-1, DIN VDE 0660 part 200 6 A fast blow relay output EN/IEC 60947-5-1, DIN VDE 0660 part 200
Minimum output current	10 MA relay output
Minimum output voltage	16 V relay output
Maximum response time on input open	100 Ms
[Ui] rated insulation voltage	300 V 2)IEC 60947-5-1 300 V 2)DIN VDE 0110 part 1
[Uimp] rated impulse withstand voltage	4 KV III IEC 60947-5-1 4 KV III DIN VDE 0110 part 1
Local signalling	2 LEDs
Current consumption	40 mA 24 V DC on power supply 90 mA 24 V AC on power supply
Mounting support	35 mm symmetrical DIN rail
Net Weight	0.35 Lb(US) (0.16 kg)

Environment

Standards	EN/IEC 60947-5-1 EN/ISO 13850 EN 60204-1 EN 1088/ISO 14119
Product certifications	UL CSA TÜV
IP degree of protection	IP20 terminals)EN/IEC 60529 IP40 enclosure)EN/IEC 60529
Ambient air temperature for operation	14...131 °F (-10...55 °C)
Ambient air temperature for storage	-13...185 °F (-25...85 °C)

Ordering and shipping details

Category	22477 - SAFETY MODULES (PREVENTA)
Discount Schedule	SAF2
GTIN	03389110274011
Nbr. of units in pkg.	1
Package weight(Lbs)	6.98 Oz (198 g)
Returnability	Yes
Country of origin	ID

Packing Units

Unit Type of Package 1	PCE
Package 1 Height	1.18 In (3 cm)
Package 1 width	4.72 In (12 cm)
Package 1 Length	4.13 In (10.5 cm)
Unit Type of Package 2	S01
Number of Units in Package 2	16

Package 2 Weight	7.60 Lb(US) (3.449 kg)
Package 2 Height	5.91 In (15 cm)
Package 2 width	5.91 In (15 cm)
Package 2 Length	15.75 In (40 cm)
Unit Type of Package 3	P06
Number of Units in Package 3	512
Package 3 Weight	254.72 Lb(US) (115.54 kg)
Package 3 Height	30.31 In (77 cm)
Package 3 width	23.62 In (60 cm)
Package 3 Length	31.50 In (80 cm)

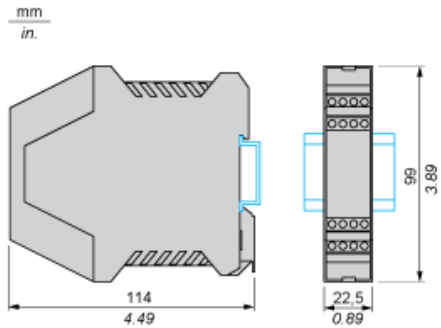
Offer Sustainability

Sustainable offer status	Green Premium product
California proposition 65	WARNING: This product can expose you to chemicals including: Lead and lead compounds, which is known to the State of California to cause cancer and birth defects or other reproductive harm. For more information go to www.P65Warnings.ca.gov
REACH Regulation	REACH Declaration
EU RoHS Directive	Pro-active compliance (Product out of EU RoHS legal scope) EU RoHS Declaration
Mercury free	Yes
RoHS exemption information	Yes
China RoHS Regulation	China RoHS Declaration
Environmental Disclosure	Product Environmental Profile
Circularity Profile	End Of Life Information
WEEE	The product must be disposed on European Union markets following specific waste collection and never end up in rubbish bins.
PVC free	Yes

Contractual warranty

Warranty	18 months
----------	-----------

Dimensions



Product Life Status : **Commercialised**